



PRECISIONEERED RELOADING EQUIPMENT

We think that we make the very best reloading equipment in the world. If you agree, please tell your friends. If you disagree, tell us we want to do something about it!

Customer Service

1-800-533-5000 (US or Canada) or 530-533-5191

Hours: Monday - Thursday, 6:30am - 4:00pm Pacific Time
(hours may vary)

e-mail: rcbs.tech@atk.com or visit our website at www.rcbs.com

RCBS 605 Oro Dam Blvd. East Oroville, CA 95965

ALLIANT POWDER - CCI - CHAMPION TRAPS & TARGETS
EAGLE - ESTATE CARTRIDGE - FEDERAL AMMUNITION
FUSION AMMUNITION - GUNSLICK PRO - NITREX - OUTERS
RCBS - RAMLINE - SHOOTERS RIDGE - SPEER - WEAVER

7200545/0210

12



QUICK CHANGE HIGH CAPACITY POWDER MEASURE

*Shown with optional Powder
baffle - sold separately



WARNING: NOT FOR USE WITH BLACK POWDER!

PRODUCT INSTRUCTIONS

⚠ WARNING

Before using the RCBS Quick Change High Capacity Powder Measure, read these instructions carefully to fully learn how to safely operate the related reloading equipment. Failure to properly operate the related reloading equipment can result in severe personal injury and/or equipment damage.

**If you have any questions while assembling or operating this tool,
Call us at 1-800-533-5000 or 1-530-533-5191
Monday – Thursday 6:30 am – 4:00 pm Pacific Time
(hours may vary)
Or email us at rcbs.tech@atk.com**

This instruction manual contains specific safety and operating information. It should be considered a permanent part of your reloading equipment and remain with the equipment at all times for easy reference.

LIMITED LIFETIME WARRANTY

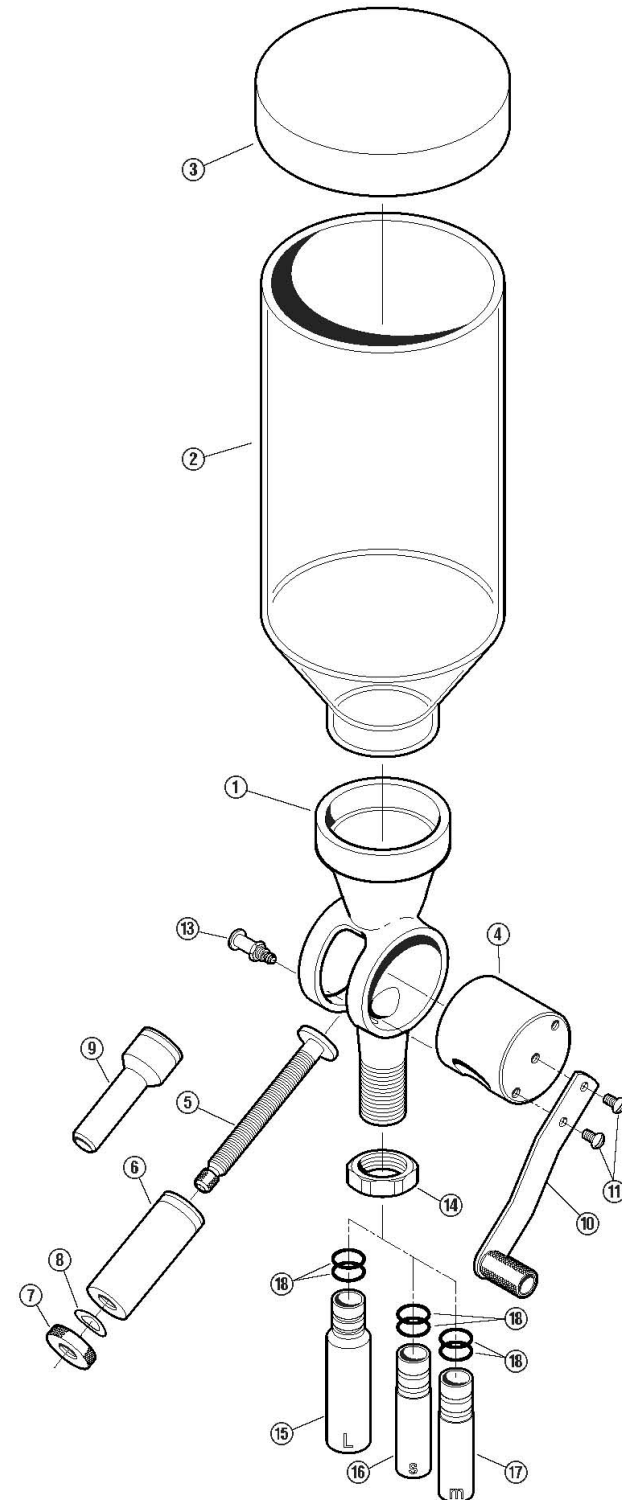
Your Quick Change High Capacity Powder Measure is warranted to be free from defects in material or workmanship for as long as the original owner owns it. This warranty is extended only to the original consumer purchaser. All RCBS products are intended for non-commercial use by hobbyists. Any other use of these products will void the warranty. Should you believe that your QC HC Powder Measure is defective in material or workmanship, you must return it to Ammunition Accessories Inc. through its Oroville operation (hereinafter "Oroville Operations") postage paid for evaluation. If defective, the product will be repaired or replaced at Oroville Operations' option, at no charge.

Send a dated proof of purchase to Oroville Operations for return shipping and handling, along with the QC HC Powder Measure to:

Ammunition Accessories Inc.,
Oroville Operations
605 Oro Dam Blvd East
Oroville, California 95965

Warranty services cannot be provided without meeting the above requirements.

THIS LIMITED LIFETIME WARRANTY DOES NOT COVER DEFECTS OR DAMAGE RESULTING FROM: CARELESSNESS, MISUSE, COMMERCIAL USE, ABUSE, IMPROPER INSTALLATION, MODIFICATION, OR NORMAL WEAR AND TEAR. THE IMPLIED WARRANTIES OF MERCHANTABILITY AND FITNESS FOR A PARTICULAR PURPOSE ARE LIMITED TO THE DURATION OF THIS LIMITED LIFETIME WARRANTY. OROVILLE OPERATIONS IS NOT LIABLE FOR DAMAGES IN EXCESS OF THE PURCHASE PRICE OF THE PRODUCT AND UNDER NO CIRCUMSTANCES SHALL OROVILLE OPERATIONS BE LIABLE FOR CONSEQUENTIAL OR INCIDENTAL DAMAGES. HOWEVER, SOME STATES DO NOT ALLOW LIMITATIONS ON INCIDENTAL, OR CONSEQUENTIAL DAMAGES, SO THE ABOVE LIMITATION OR EXCLUSION MAY NOT APPLY TO YOU.



Key#	Description	Part #	Qty
1	QC HC Main Casting	7709026	1
2	QC HC Powder Hopper	7109027	1
3	QC HC Powder Hopper Cap	7189028	1
4	QC HC Measuring Cylinder	7798849	1
5	QC HC Metering Screw	7798851	1
6	QC HC Metering Screw Bushing	7798850	1
7	Metering Screw Lock Ring	7709014	1
8	Bow Washer	7109260	1
9	QC HC Drain Tube	7798853	1
10	Handle Assembly	7709027	1
11	Handle Screws	7109019	2
13	QC Locking Pin Assembly	7798856	1
14	7/8"-14 Hex Lock Ring	7109187	1
15	Drop Tube Large .50 cal	7198854	1
16	Drop Tube Small .22-.270 cal	7198852	1
17	Drop Tube Medium .30-45 cal	7198853	1
18	"O" Ring	7138285	6

The above warranty provides the sole and exclusive warranty available to the customer in the event of a defect in material or workmanship in the reloading press. This warranty gives you specific legal rights, and you may also have other rights which vary from State to State.

SAFETY

Reloading is an enjoyable and rewarding hobby that can be conducted safely. But, as with any hobby, carelessness or negligence can make reloading hazardous. This product has been designed from the beginning with the user's safety in mind. When reloading, safety rules must be followed. By observing these rules, the chance of a hazardous occurrence causing personal injury or property damage is minimized.

GENERAL

- Use all equipment as the manufacturer recommends. Study the instructions carefully and become thoroughly familiar with the operation of the product. If you do not have written instructions, request a copy from the equipment manufacturer.
- Do not take short cuts. Attempting to bypass established procedures is an invitation to an accident.
- Observe "good housekeeping" in the reloading area. Keep tools and components neat, clean and orderly. Promptly and completely clean up primer and powder spills.
- Reload only when you can give your undivided attention. Do not reload when fatigued or ill, or under the influence of medications or alcohol.
- Develop a reloading routine to avoid mistakes which may prove hazardous. Do not rush - load at a leisurely pace.
- Always wear adequate eye protection to protect your eyes from flying particles. You assume unnecessary risk when reloading without wearing safety glasses.

LOADING DATA

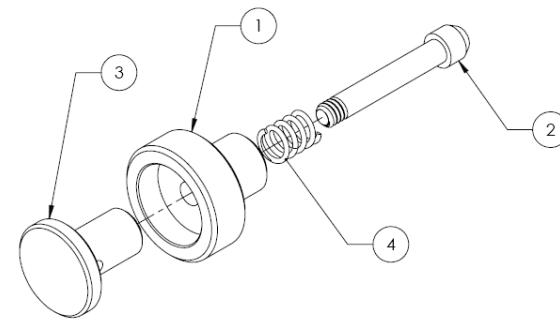
- Use only laboratory tested reloading data. We highly recommend the current SPEER Reloading Manual.
- OBSERVE ALL WARNINGS ABOUT THE USE OF MAXIMUM LISTED LOADS

 **WARNING/CAUTION**

PRIMERS AND POWDER

- Store primers and powder beyond the reach of children and away from heat, dampness, open flames and electrical equipment. Avoid areas where static electricity is evident.
- DO NOT use primers of unknown identity.
- Dispose of unknown primers in accordance with applicable regulations.
- Keep primers in the original factory container until ready to use. Return unused primers to the same factory packaging for safety and to preserve their identity. Primer packaging is designed to provide safe storage.

- DO NOT store primers in bulk. The blast of just a few hundred primers is sufficient to cause serious injury to anyone nearby.
- DO NOT force primers. Use care in handling primers.
- DO NOT have more than one can of powder on the bench at one time. Powder cans should be stored away from the bench to avoid picking up the wrong one.
- DO NOT use any powder unless its identity is positively known. The only positive identification is the manufacturer's label on the original canister. Discard all mixed powders and those of uncertain identity.
- DO NOT attempt to prime military cartridge cases with crimped/staked primer pockets until the crimp/staking has been removed with a reamer or by swaging. Attempting to seat primers into staked/crimped primer pockets can result in primer detonation, which can cause serious personal injury.
- DO NOT decap live primers. This is extremely dangerous and can result in primer detonation causing serious personal injury.
- If you use a powder measure, replace the lids on both the powder hopper and powder can after the powder hopper has been filled.
- When using a powder measure, settle the powder in the powder hopper before charging any cases. Throw and check the weight of at least ten charges. This will assure you that the correct powder charge is being thrown.
- When you finish a reloading session, pour any remaining powder back into its original factory container. This will preserve the identity and shelf life of the powder.
- DO NOT smoke while reloading.



Key#	Description	Part #	Qty
1	QC PM Lock Pin Retainer	7798847	1
2	QC PM Lock Pin	7798846	1
3	QC PM Lock Knob	7798848	1
4	Century Spring	7109029	1

RECORD KEEPING

- Keep complete records of reloads. Apply a descriptive label to each box showing the date produced, and the primer, powder and bullet used. Labels for this purpose are packed with SPEER bullets.
- Never attempt to guess at the identity of your ammunition.

Because RCBS has no control over the choice of components, the manner in which they are assembled, the use of this product, or the firearms in which the resulting ammunition may be used, we assume no responsibility, expressed or implied, for the use of ammunition reloaded with this product.



GENERAL INFORMATION

The Quick Change High Capacity Powder Measure will perform two powder charging tasks in one fast, simple operation. With cycling of the handle it accurately measures powder within a fraction of a grain and swiftly dispenses it into cases, one after another. Powder pours uniformly from the powder hopper into the measuring cylinder, through the drop tube and into the case. This eliminates the hazards of overloads caused by clogging when charges are dumped into cases. You can change from one charge to another quickly and

DRAINING POWDER HOPPER

It is not necessary to empty the powder hopper each time you change charges unless a different powder is required.

Powder should not be left in the measure as it will deteriorate and may clog and jam the measuring cylinder and etch the powder hopper. The measure can be emptied without taking it off the bench or reloading press by using the provided Quick Change High Capacity Drain Attachment.

Dispense the remaining charge and hold the handle in the “up” position. Loosen the knurled Lock Pin Retainer, pull the Lock Knob and remove the Metering Screw Assembly. Align the Lock Pin hole on the side of the Drain Attachment and insert into the Metering Cylinder, release the Lock Knob. Try to rotate the Drain Attachment to insure that the Lock Pin is in place. Tighten the knurled Locking Pin Retainer. Place the correct powder container near the end of the Drain Attachment and slowly bring the handle down. The powder will flow through the Measuring Cylinder and Drain Attachment and back into your powder container.

CAUTION: If the handle is in the “down” position when the Metering Assembly is removed, the powder will flow through the Measuring Cylinder and spill out of the powder measure!



Drain Attachment installation position



Powder hopper “drain” position

TO REMOVE A CYLINDER

To remove a measuring cylinder for cleaning, first empty the powder hopper. Loosen the knurled Lock Pin Retainer, pull the Lock Knob and remove the Drain Tube. You can then either remove the two handle screws and handle or unscrew the Lock Pin Assembly and carefully slide out the measuring cylinder.

Do not attempt to remove the powder hopper from the main casting.

easily by pulling the pin and changing Metering Assemblies. Metering Assemblies can be left preset for future charges.

The powder level is visible at all times through a large two pound capacity plastic powder hopper.

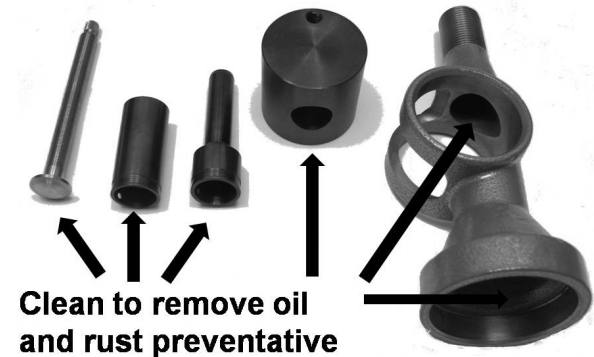
The measuring cylinder has a precision-ground surface and slides into the honed main casting for a precise fit. The lower portion of the main casting has the standard 7/8”-14 threads and may be used on an optional Powder Measure/Piggyback Stand.

A powder measure is basically a device which measures powder by volume and not by weight. However, before you start throwing a given charge with this powder measure, the first charge must always be weighed on a powder scale to arrive at the desired charge. Accurate powder measure charges will also depend upon the size and uniformity of the powder kernels used, and how smoothly and uniformly you operate the powder measure handle.

Ball and flake powders will measure very evenly. Long and short kernel stick-type powders are more difficult to measure consistently, and it is imperative that you follow a set routine when throwing charges of these powders.

TO ASSEMBLE

To prepare the Quick Change High Capacity Powder Measure for use, the measuring cylinder, measuring screw, drain attachment, inside of main casting and powder funnel portion of main casting must be cleaned to remove the factory applied rust preventative. Failure to do so will cause inconsistent powder charges.



Install the Quick Change Locking Pin assembly a few threads into the single threaded through hole on the side of the Measuring Cylinder. Carefully insert the assembly into the main casting, this is a precise fit, do not force the cylinder into the casting. Insert screws through the handle and attach to the measuring cylinder on the opposite side of the Locking Pin. The Powder Measure can be set

up for right or left handed use depending on which way you slide in the assembly.



Installing Locking Pin

The Metering Assembly will dispense up to 250 grains of smokeless powder. You will notice a tapered hole on the side of the Metering Screw Assembly body, this is the locking point for the Quick Change Locking Pin. Pull the Locking Pin, align the hole in the Metering Screw body with the Locking Pin, insert into the Metering Cylinder and release the Locking Pin. Try to rotate the Metering Assembly Body to insure that it has been locked in place. Tighten the knurled Pin Retainer.



Metering assembly



Aligning locking pin hole on metering assembly

The Powder Measure can be mounted on an optional Powder Measure Stand, available from your reloading dealer. Three friction fit drop tubes are furnished; one with a small hole for .22 to 270 calibers, and one with a large hole for .30 to .45 caliber and a very large drop tube for .50 caliber. The QC Funnel Extended Drop Tube or Adapters also fits for a more precise fit to your cartridge case.

TO USE

Before attempting to throw a series of powder charges, set the powder measure for the maximum charge and run about a pound of powder through it. This will deposit a film on the inside of the measure and help the powder flow through more evenly and consistently.

Be sure you use the same uniform movements for each powder charge. To throw a charge, raise the handle until it comes to the end of the stroke with a light tap. Then lower the handle in the same manner. This tap at the end of each stroke helps to settle the powder uniformly in the measure.

A dependable powder scale should be used to set the first charges in the powder measure as follows: throw a powder charge directly into the scale pan by raising the handle and lowering it. Weigh the charge. If it is too heavy, adjust the measuring screw "in" with the handle in the down position. If the charge is too light, adjust the measuring screw "out". When you arrive at the exact charge you need, lock the metering screw in place with the knurled lock nut on the shaft. Now you're ready to throw a series of charges. Additional QC High Capacity Metering assemblies can be purchased so that you can leave them preset to your favorite charges, thus allowing for quick powder changeovers.

As a precaution, throw every tenth charge into the scale pan and weigh it to be sure of consistency.

METERING ASSEMBLY CHANGE

If the same powder is to be used, but you wish to change out the Metering Assembly for another one that is preset for different charge, it is not necessary to empty the powder hopper.

Dispense the remaining charge and hold the handle in the "up" position. Loosen the knurled Lock Pin Retainer, pull the Lock Knob and remove the Metering Screw Assembly. Align the Lock Pin hole on the side of the Metering Screw Assembly and insert into the Metering Cylinder, release the Lock Knob. Try to rotate the Metering Screw Assembly to insure that the Lock Pin is in place. Tighten the knurled Locking Pin Retainer. As a precaution, dispense a charge and weigh it to be sure that you have installed the correct preset Metering Screw Assembly.

CAUTION: If the handle is in the "down" position when the Metering Assembly is removed, the powder will flow through the Measuring Cylinder and spill out of the powder measure!